

**ARCONIC**

Innovation, engineered.

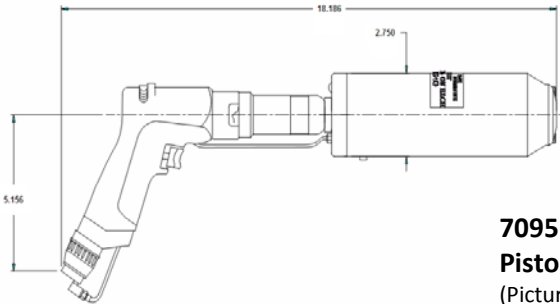
# KEENSERTS® Power Installation Tools



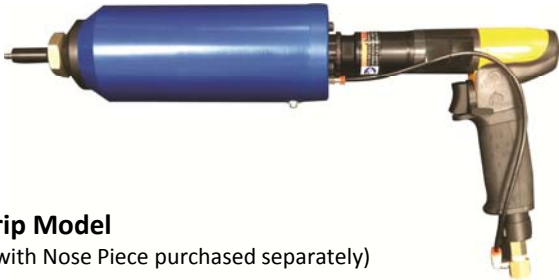
March 21, 2018

# KEENSERTS® POWER INSTALLATION TOOLS

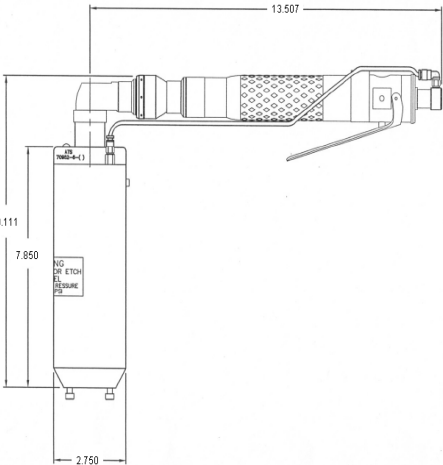
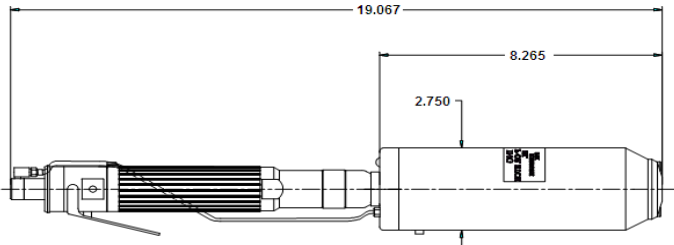
## THREE CONFIGURATIONS TO CHOOSE FROM ONE TO FIT ANY APPLICATION



**70951-6**  
**Pistol Grip Model**  
(Pictured with Nose Piece purchased separately)



**70950-6A**  
**Straight Lever Model**  
(Pictured with Nose Piece purchased separately)



**70952-6A**  
**Right Angle Model**  
(Pictured with Nose Piece purchased separately)



# MINIATURE KEENSERTS® POWER INSTALLATION TOOLS

Same type tool with a lighter touch for Miniature KEENSERTS® Insert Installation.



**TR18043**  
**Pistol Grip**  
**Miniature KEENSERTS® Installation Tool**

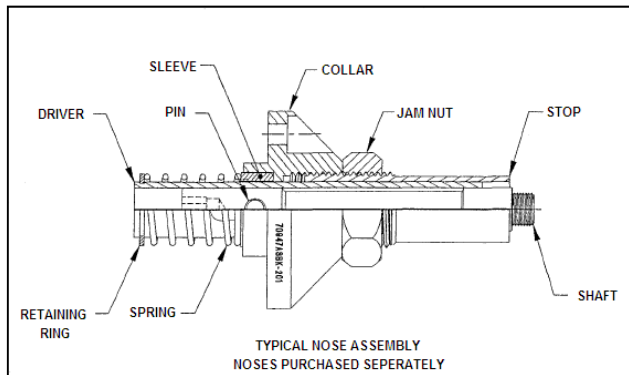
MS INSERT NUMBER	NON LOCKING INSERT	INTERNAL LOCKING INSERT	NOSE ASSY PART NUMBER
MS51830-101 (L)	KNCA0256J	KNCAL0256J	TR18044N-0256
MS51830-102 (L)	KNCA0440J	KNCAL0440J	TR18044N-0440
MS51830-103 (L)	KNCA0632J	KNCL0632J	TR18044N-0632
MS51830-104 (L)	KNCA0832J	KNCAL0832J	TR18044N-0832

**TR18044**  
**Straight Lever**  
**Miniature KEENSERTS® Installation Tool**



# POWER INSTALLATION TOOL NOSES

Tool nose purchased separately and sized to your fasteners dimensions and features.



Note: Shaft of Nose Assembly will be either externally threaded for Insert installation or internally threaded for Stud installation.

## Easy Four Step Operation:



1. Thread fastener on to Nose.
2. Run fastener down until torque controlled tool motor shuts off
3. Press activation button on Swaging Cylinder to drive Kees into place.
4. Switch tool motor into reverse and back the tool out of the installed fitting.

### For More Information Contact:

Arconic Fastening Systems  
801 S. Placentia Ave.  
Fullerton, CA 92831  
Glenn Anderson, Product Manager  
714-278-8902  
[glenn.anderson@Arconic.com](mailto:glenn.anderson@Arconic.com)



**ARCONIC**

**Arconic Fastening Systems**

801 S. Placentia Avenue  
Fullerton, CA USA 92831  
714-278-8908 Telephone  
714-871-4821 FAX